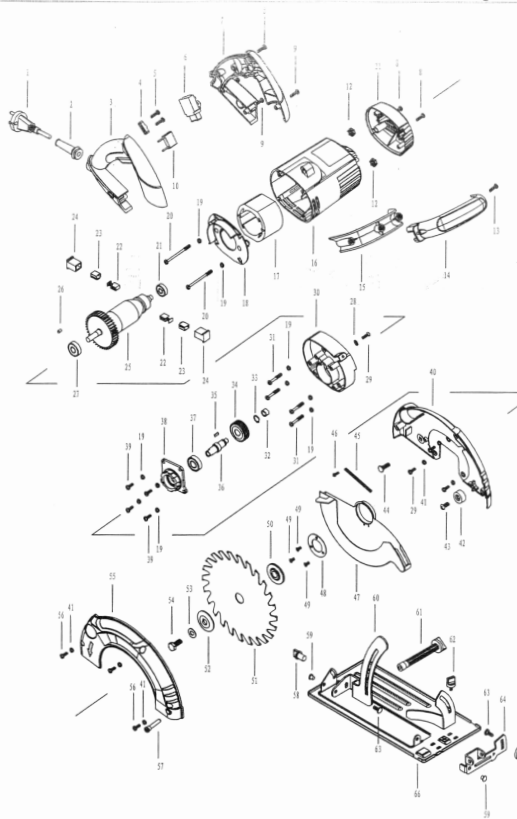


EXPLODED VIEW OF RD-CS31

PARTS LIST RD-CS31



1. Power Plug
2. Power Cord
3. Right Handle
4. Cord Clamp
5. ST4X12 Screw
6. Switch
7. Left handle
8. ST4X16 Screw
9. ST4X20 Screw
10. Capacitor
11. Back cover
12. inductance
13. ST5X20 Screw
14. Upper side handle
15. Down side handle
16. Enclosure
17. Stator
18. Wind guard
19. Washer 4
20. ST4X65 Screw
21. Bearing 608
22. Carbon brush
23. Carbon Copper
24. Carbon brush holder
25. Rotor
26. Rubber block
27. Bearing 6000
28. Flat washer 5
29. M5X16
30. Center support
31. ST4X35 Screw
32. Oil bearing
33. Ring 12
34. Gear
35. Flat washer 3x10
36. Shaft
37. Bearing 6001
38. Bearing Base
39. M4X12 Screw
40. Left Aluminum Guard
41. Spring washer 5
42. Rubber washer
43. M6X14 Screw
44. M6X20 Screw
45. Removable Guard Spring
46. M4X8 Washer
47. removable Guard
48. Bearing Cover
49. M4X8 Screw
50. Inner compressing Plate
51. Saw Blade 185
52. Outer compressing Plate
53. washer
54. screw
55. Right Aluminum Guard
56. M5X12 Screw
57. screw
58. Angle adjusting knob 1
59. Rivet 6
60. Depth holder
61. Depth gauge adjusting knob
62. Screw for depth gauge
63. Screw M5X12
64. Angle level
65. Angle adjusting knob 11
66. Base